

# Product data sheet

Specifications



## limit switch XCNR - steel roller plunger - 1NC+1NO - snap - Pg11

XCNR2102G11

! Discontinued on: 04 January 2022

! Discontinued

### Main

Range of product	Telemecanique Limit switches XC Standard
Series name	Standard format
Product or component type	Limit switch
Device short name	XCNR
Sensor design	Compact
Reset	With
Body type	Fixed
Head type	Plunger head
Material	Plastic
Body material	Plastic
Head material	Plastic
Fixing mode	By the body
Movement of operating head	Linear
Type of operator	Spring return roller plunger plastic
Type of approach	Lateral approach, 2 directions
Number of poles	2
Contacts type and composition	1 NC + 1 NO
Contact operation	Snap action

### Complementary

Switch actuation	By 30° cam
Electrical connection	Screw-clamp terminals, clamping capacity: 1 x 0.34...2 x 1.5 mm <sup>2</sup>
Cable entry	1 entry tapped for Pg 11 cable gland
Contacts insulation form	Zb
Positive opening	With
Positive opening minimum force	20 N
Minimum force for tripping	12 N
Maximum actuation speed	0.3 m/s

<b>Contact code designation</b>	A300, AC-15 (Ue = 240 V), Ie = 3 A, Ithe = 10 A conforming to EN/IEC 60947-5-1 appendix A R300, DC-13 (Ue = 250 V), Ie = 0.1 A conforming to EN/IEC 60947-5-1 appendix A
<b>[Ui] rated insulation voltage</b>	300 V conforming to UL 508 500 V (pollution degree 3) conforming to EN/IEC 60947-1 300 V conforming to CSA C22.2 No 14
<b>[Uimp] rated impulse withstand voltage</b>	6 kV conforming to IEC 60664 6 kV conforming to IEC 60947-1
<b>Short-circuit protection</b>	10 A cartridge fuse, type gG
<b>Mechanical durability</b>	100000 cycles

## Environment

<b>Shock resistance</b>	50 gn for 11 ms conforming to IEC 60068-2-27
<b>Vibration resistance</b>	25 gn (f= 10...500 Hz) conforming to IEC 60068-2-6
<b>IP degree of protection</b>	IP65 conforming to IEC 60529
<b>IK degree of protection</b>	IK04 conforming to EN 50102
<b>Electrical shock protection class</b>	Class II conforming to IEC 61140 Class II conforming to NF C 20030
<b>Ambient air temperature for operation</b>	-25...70 °C
<b>Ambient air temperature for storage</b>	-40...70 °C
<b>Protective treatment</b>	TC
<b>Product certifications</b>	CCC UL CSA
<b>Standards</b>	EN 60947-5-1 UL 508 EN 60204-1 IEC 60204-1 IEC 60947-5-1 CSA C22.2 No 14

## Packing Units

<b>Unit Type of Package 1</b>	PCE
<b>Number of Units in Package 1</b>	1
<b>Package 1 Weight</b>	89.0 g
<b>Package 1 Height</b>	11 cm
<b>Package 1 width</b>	16 cm
<b>Package 1 Length</b>	31 cm
<b>Unit Type of Package 2</b>	S03
<b>Number of Units in Package 2</b>	1
<b>Package 2 Weight</b>	802.0 g
<b>Package 2 Height</b>	30 cm
<b>Package 2 width</b>	30 cm
<b>Package 2 Length</b>	40 cm
<b>Unit Type of Package 3</b>	S02
<b>Number of Units in Package 3</b>	80
<b>Package 3 Weight</b>	7.627 kg
<b>Package 3 Height</b>	15 cm
<b>Package 3 width</b>	30 cm
<b>Package 3 Length</b>	40 cm

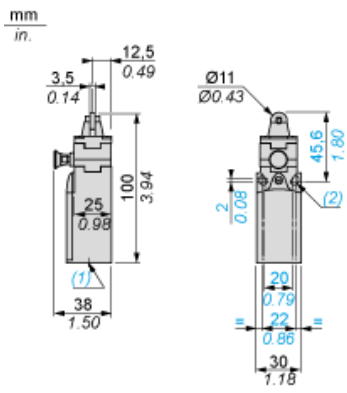
## Offer Sustainability

<b>Sustainable offer status</b>	Green Premium product
<b>REACH Regulation</b>	<a href="#">REACH Declaration</a>
<b>EU RoHS Directive</b>	Pro-active compliance (Product out of EU RoHS legal scope) <a href="#">EU RoHS Declaration</a>
<b>Mercury free</b>	Yes
<b>RoHS exemption information</b>	Yes
<b>Environmental Disclosure</b>	<a href="#">Product Environmental Profile</a>
<b>Circularity Profile</b>	<a href="#">End of Life Information</a>
<b>California proposition 65</b>	WARNING: This product can expose you to chemicals including: Diisononyl phthalate (DINP), which is known to the State of California to cause cancer, and Di-isodecyl phthalate (DIDP), which is known to the State of California to cause birth defects or other reproductive harm. For more information go to <a href="http://www.P65Warnings.ca.gov">www.P65Warnings.ca.gov</a>

## Contractual warranty

<b>Warranty</b>	18 months
-----------------	-----------

Dimensions



- (1) 1 tapped entry for Pg 11 cable gland
- (2) Ø: 2 elongated holes Ø 4.3 x 6.3 on 22 mm centres, 2 holes Ø 4.3 on 20 mm centres.

**Mounting with Cable Entry**

---

**Position of Cable Gland**

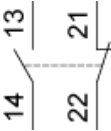


- (1) Recommended
- (2) To be avoided

**Wiring Diagrams**

---

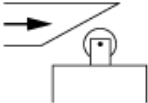
**2-pole NC + NO Snap Action**



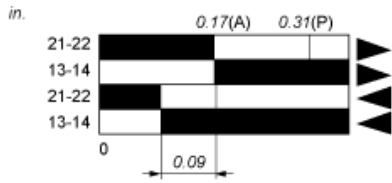
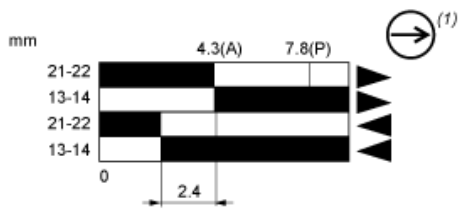
**Characteristics of Actuation**

---

**Switch Actuation by 30° Cam**



**Functionnal Diagram**



- (2)
- (3)
- (4)
- (5)

- (P) Positive opening point
- (A) Cam displacement
- (1) NC contact with positive opening operation
- (2) Closed
- (3) Open
- (4) Tripping
- (5) Resetting

**Recommended replacement(s)**

XCNR2102G11 is replaced by the following product range:



**Limit switches XC Standard**

Limit switches

Products: 1104