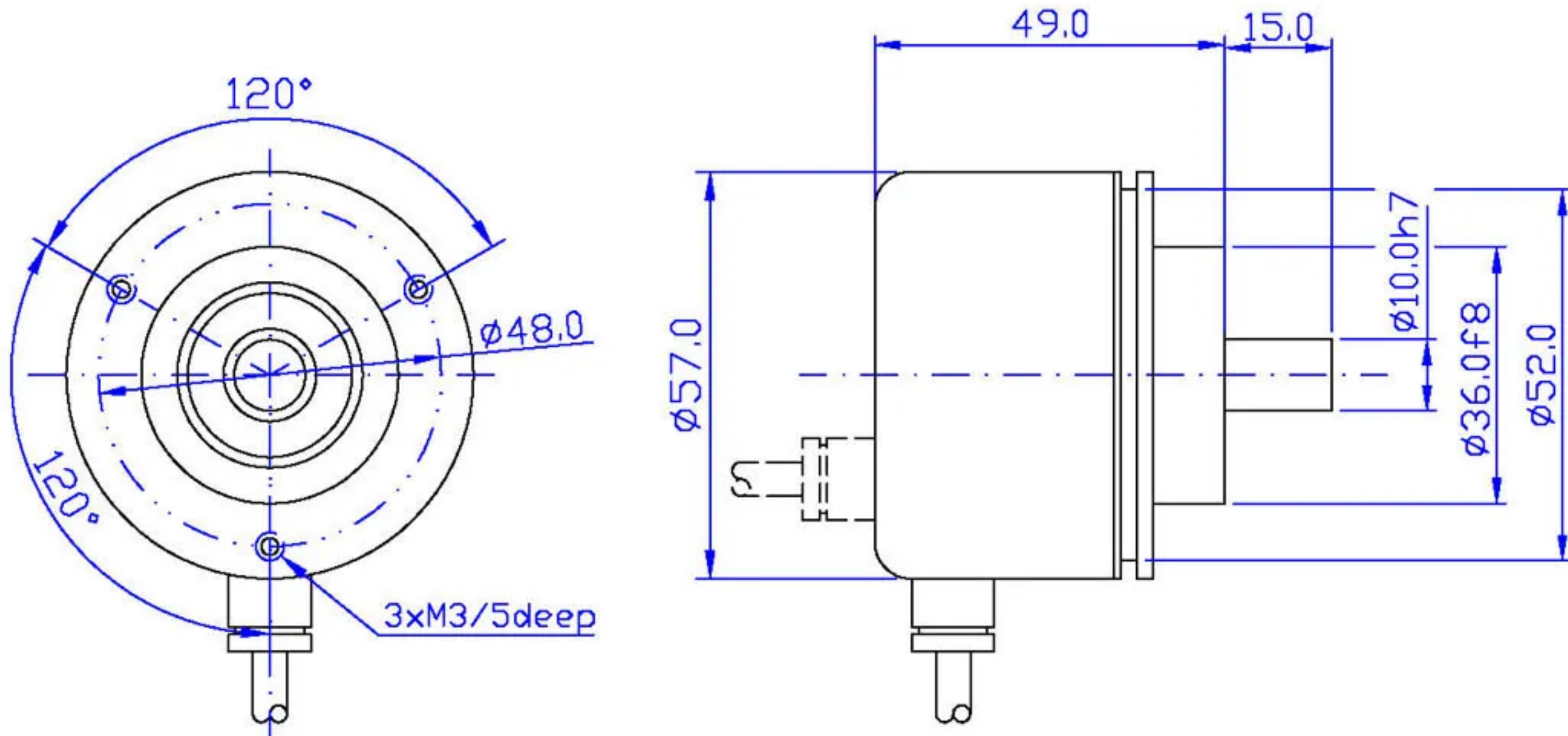


INCREMENTAL ROTARY ENCODER IRD 5810

MECHANICAL DRAWING :



ORDERING CODE :

IRD5810 - X - XXXX - X - X - X - XX - X

Output signals :

- Open col. - 0
- RS 422 line driver - L
- Push pull - P

No. of pulses - PPR :

- 25, 50, 100, 125, 180, 200, 250,
- 360, 500, 600, 900, 1000, 1250,
- 1500, 1800, 2000, 2500, 3600
- 5000, 9000, 10000, 12500

Output signals configuration :

- Output sig. A, B - B
- Output sig. A, B, R - Z

Supply voltage : +5V ±10% - 1
 +10--30V - 2

Cable gland entry:
 - from side entry 1
 - top entry 2

Cable-length [m]

Type of connector :

- F - no connector
- A - round 12 pin connector
- B - round 5 pin connector
- C - sub D type 9 pin male connector
- D - round 12 pin conn. on encoder cover
- E - round 5 pin conn. on encoder cover

other nonstandard PPR: 1, 2, 10, 15, 60 , 72, 120, 140, 150, 160, 217, 240, 512, 635, 1009 ...